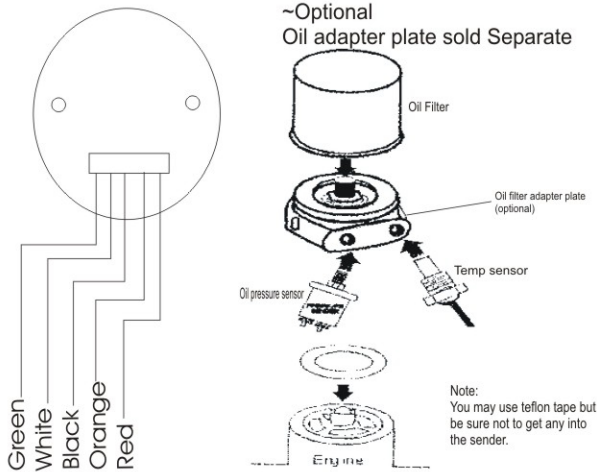


Performance Oil Pressure Gauge

Amber/White Display (270° Scale)



Wiring Instructions

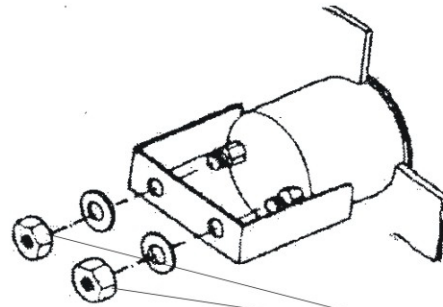
Red- 12v Accessory power
Black-Ground
White- 12v accessory power
Orange- Headlight switch
(12v power when lights are turned on)

Sensor:

G Terminal- Connect green wire from gauge to this terminal
WK Terminal- Run wire from terminal to ground

Lighting Diagram

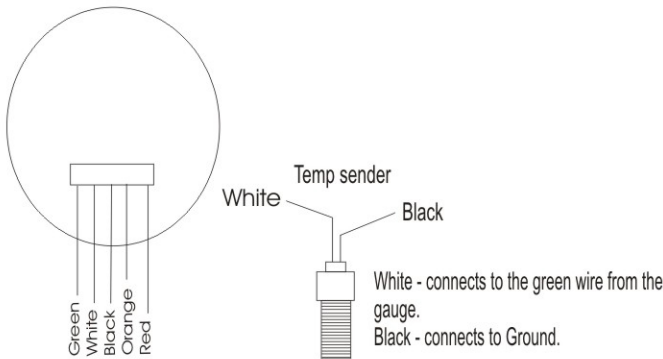
| Day Time | Night Time | Installation |
|----------|------------|--|
| White | White | White — Connect to acc. Power Amber — Do not connect |
| Amber | Amber | White — Do not connect Amber — Connect to acc. Power |
| White | Amber | White — Connect to acc. Power Amber — Connect to parking lamp |
| Amber | White | Amber — Connect to acc. Power White — Connect to parking lamp |



Do not over tighten bolts when installing U bracket. Doing so will cause damage to movement inside.

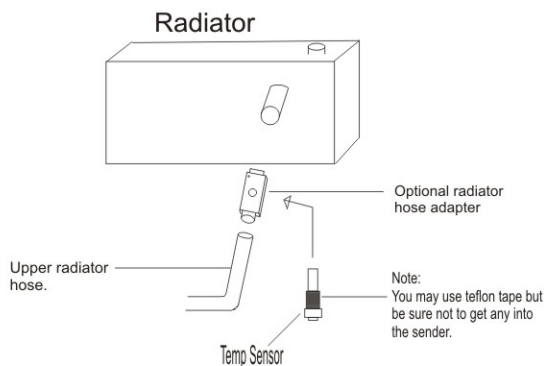
Performance Oil/ Water Temperature Gauge

Amber/White Display (270° Scale)

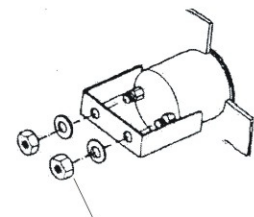
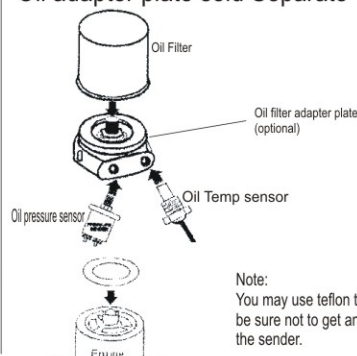


Wiring Instructions

Red- 12v Accessory power
Black-Ground
White- 12v accessory power
Orange- Headlight switch
(12v power when lights are turned on)
Green- Temp Sensor



~Optional
Oil adapter plate sold Separate



Do not over tighten bolts when installing U bracket. Doing so will cause damage to movement inside.