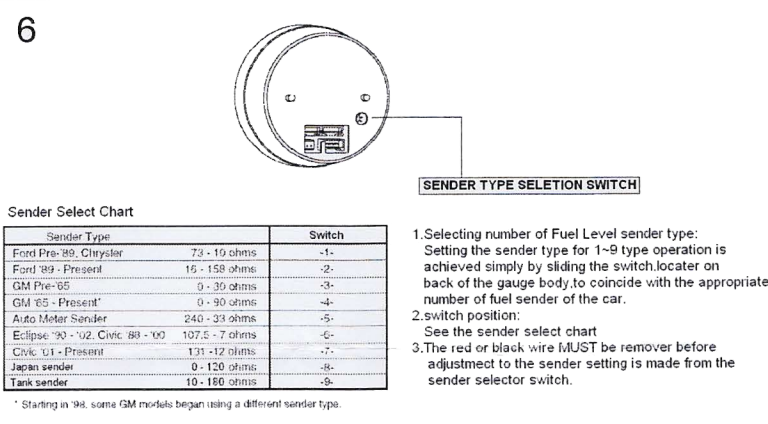
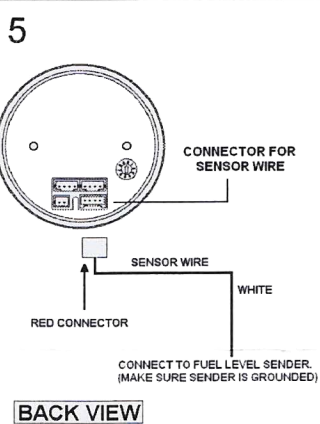
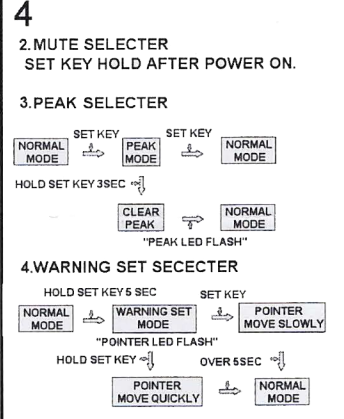
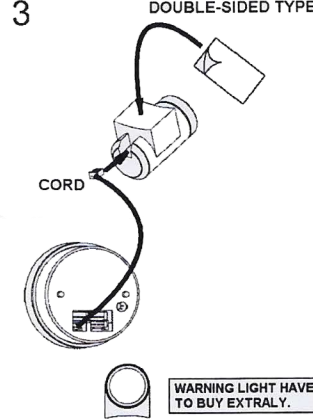
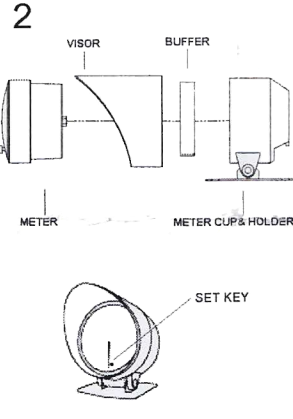
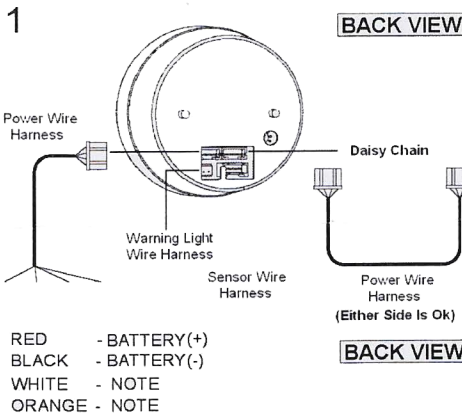


# Fuel Level Gauge

## OPENING CEREMONY



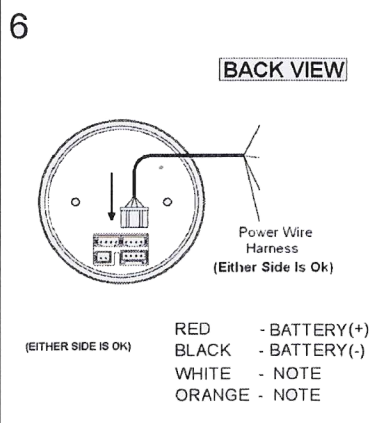
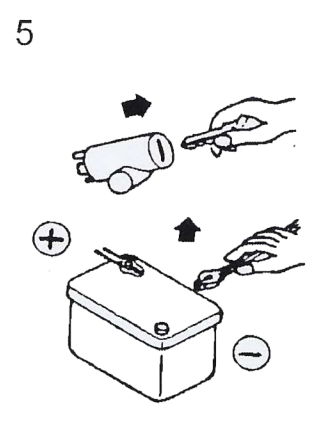
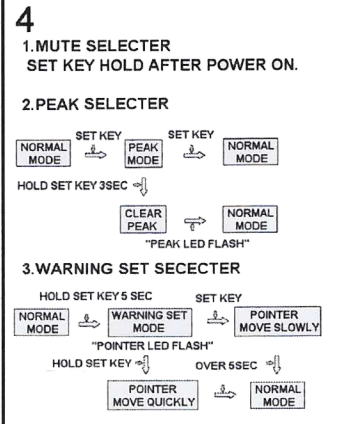
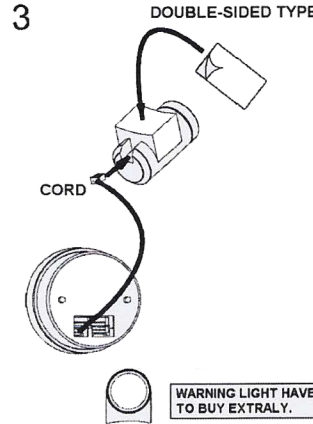
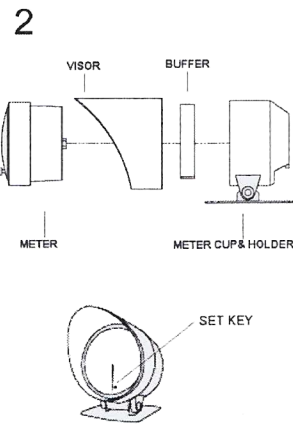
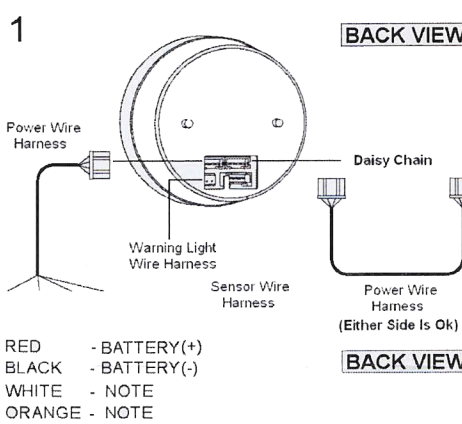
**7**

NOTE: GAUGE REQUIRE FUNCTION

REQUIRE FUNCTION		INSTALLATION
DAY TIME	NIGHT TIME	
WHITE SCALE	WHITE SCALE	WHITE WIRE→connect to ACC. AMBER WIRE→NO connect
AMBER SCALE	AMBER SCALE	WHITE WIRE→NO connect AMBER WIRE→connect to ACC
WHITE SCALE	AMBER SCALE	WHITE WIRE→ connect to ACC AMBER WIRE→connect to PARKING LAMP
AMBER SCALE	WHITE SCALE	WHITE WIRE→connect to PARKING LAMP AMBER WIRE→connect to ACC

# Voltmeter

## OPENING CEREMONY



**7**

NOTE: GAUGE REQUIRE FUNCTION

REQUIRE FUNCTION		INSTALLATION
DAY TIME	NIGHT TIME	
WHITE SCALE	WHITE SCALE	WHITE WIRE→connect to ACC AMBER WIRE→NO connect
AMBER SCALE	AMBER SCALE	WHITE WIRE→NO connect AMBER WIRE→connect to ACC
WHITE SCALE	AMBER SCALE	WHITE WIRE→ connect to ACC AMBER WIRE→connect to PARKING LAMP
AMBER SCALE	WHITE SCALE	WHITE WIRE→connect to PARKING LAMP AMBER WIRE→connect to ACC

