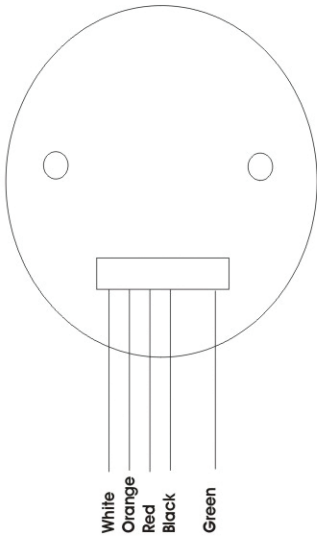


Performance A/F Analog Gauge

Amber/White Display (270° Scale)



Wiring Instructions

Red- 12V Accessory power
 Black - Ground
 White- Accessory power on
 Orange- Headlight switch
 (Once you turn the headlights
 on the gauge turns amber)
 Green-Output signal off the
 O2 sensor.

Lighting Diagram

Day Time	Night Time	
White	White	White — Connect to acc. Power Amber — Do not connect
Amber	Amber	White — Do not connect Amber — Connect to acc. Power
White	Amber	White — Connect to acc. Power *Most Amber — Connect to parking lamp Common
Amber	White	Amber — Connect to acc. Power White — Connect to parking lamp

Notes

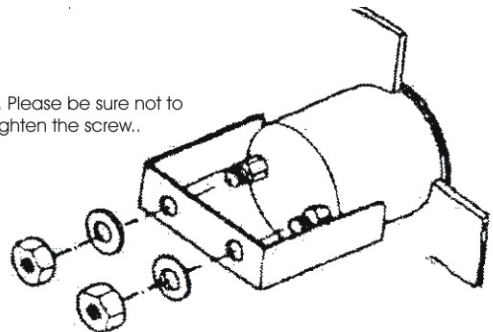
~When the engine is under heavy load the monitor should indicate rich. At cruising speeds the monitor will appear to be bouncing back and forth between rich and lean. This is normal. The computer is constantly adjusting the A/F ratio for performance and low exhaust emissions.

~All oxygen sensors must be heated to 600° F Before an accurate reading is produced.

~**Caution:** Do not connect OHM meters to the oxygen sensor, or touch wire to ground or power. Damage to oxygen sensor will result. If a volt meter is to be used, only use a high Impedance (10 mega OHM or higher) Digital meter.

Lean Range	(.050 to .249V)
Optimal Range	(.250 to .794V)
Rich Range	(.750 to 1.00V)

*Note. Please be sure not to over tighten the screw..



Installing U bracket.