

# Performance Fuel Pressure Gauge

Blue/White Display (270° Scale)

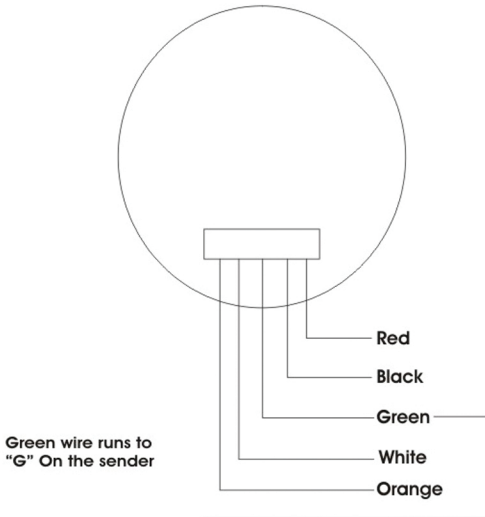
## Wiring Instructions

(White during the day, Blue at Night)

- Red- 12v Accessory power
- White- 12v Accessory power
- Black- Ground
- Orange- 12v Headlight Switched Power  
(This is a power source that only gets power when headlights are on)
- Green- Connect to "G" terminal on sender

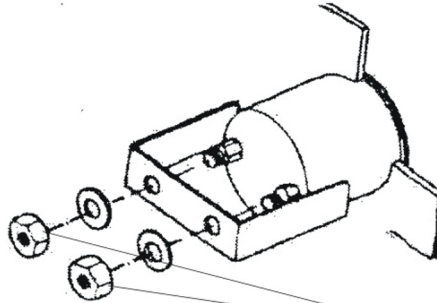
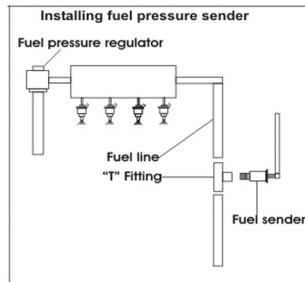
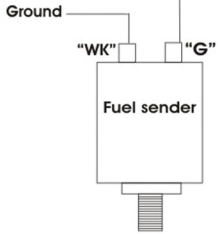
## Sender

- "Wk" Terminal- Ground
- "G" Terminal- Attach green wire from gauge



Green wire runs to "G" On the sender

Black wire runs to "M" or "WK" on sender

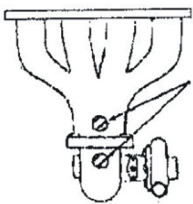


Do not over tighten bolts when installing U bracket. Doing so will cause damage to movement inside.

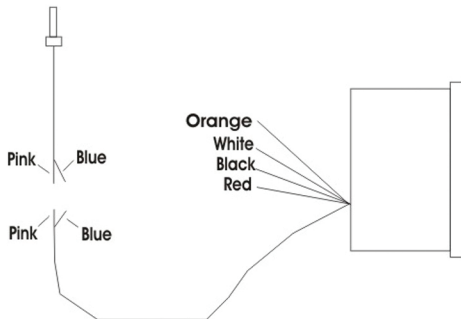
# Performance Exhaust gas temp Gauge

Blue/White Display (270° Scale)

## Lighting Options



Drill a hole  
On either position  
And installing the  
1/8 PT thread jointer



You will need to drill and tap a 1/8th NPT fitting for the probe to go into. We recommend a professional to tap this. Try to avoid shavings from going into the manifold or exhaust.

Day Time	Night Time	Installation
White	White	White-- Connect to acc. Power
		Orange-- Do not connect
Blue	Blue	White-- Do not connect
		Orange-- Connect to acc. Power
White	Blue	White-- Connect to acc. Power
		Orange-- Connect to Headlight Switched Power
Blue	White	White-- Connect to Headlight Switched Power
		Orange-- Connect to acc. Power

## Wiring Instructions

- Red- 12v Accessory power
- Black- Ground
- White- Accessory power on
- Orange- Head light switch (12v switch power)